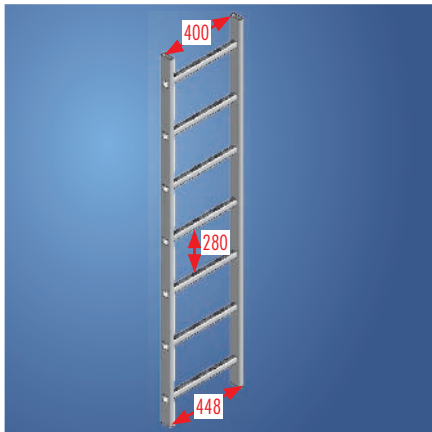


VERTICAL LADDER ACCESSORIES

LADDER SECTIONS, RIBBED BUNGS, LADDER CONNECTORS

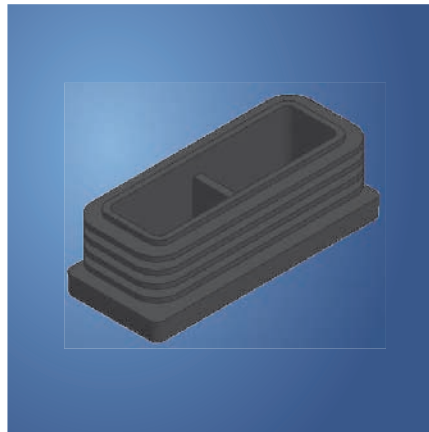


Ladder sections

G

Type	Alu	Alu	Alu
Length approx. mm	1960	2800	3640
Order no.	0051522	0053965	0053966

30 x 30 mm rungs, anti-slip ribbed.
 Stile cross section 60 x 24 mm.
 Rungs flanged in the stile.

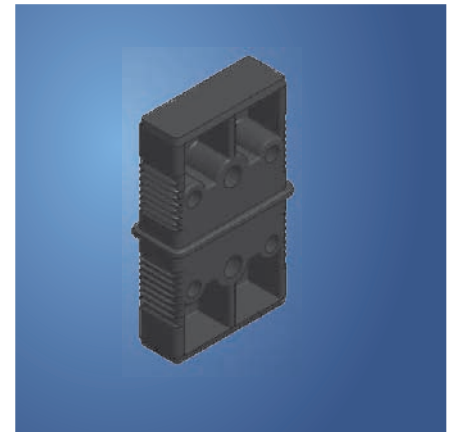


Lamella plug

G

Type	Plastic
Order no.	0077059

Plastic, black.



Ladder connectors

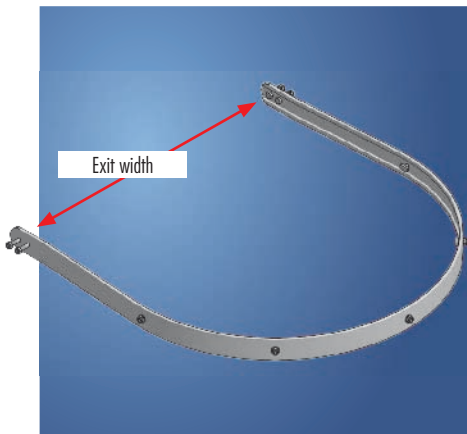
G

Type	Plastic
Order no.	0077209

Glass-fibre reinforced polyamide (PA), black

VERTICAL LADDER ACCESSORIES

LADDER SAFETY CAGE



Safety cage clamp for exit

Type	Alu	Alu
for exit	narrow	wide
Exit width approx. mm	560	700
Order no.	0054051	0054050

G

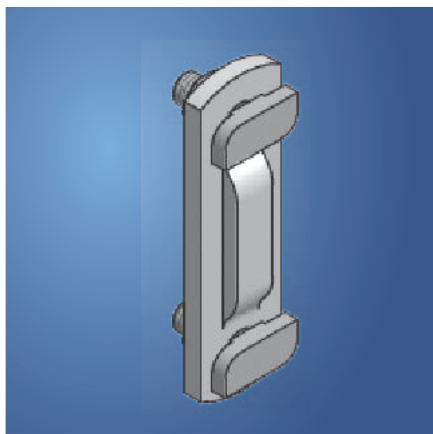
Clamps distinguished by exit width.



Safety cage clamp

Type	Alu
Order no.	0051600

G



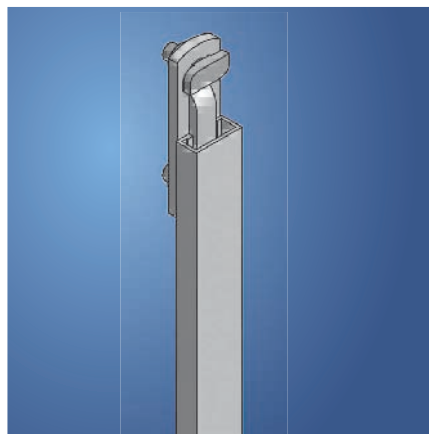
Connector for ladder safety cage

Type	Alu
Order no.	0050255

G

The safety cage length is determined as follows:

- Ascent height
- Height from ground to start of ladder safety cage
- + Length of exit (always 1,175 m)
- = Total length of ladder safety cage



Braces for ladder safety cage

Type	Alu
Length approx. mm	3190
Order no.	002342

G

Fitting advice:

Fit braces on the inner side of the clamps, nuts on the outer side of the clamps.



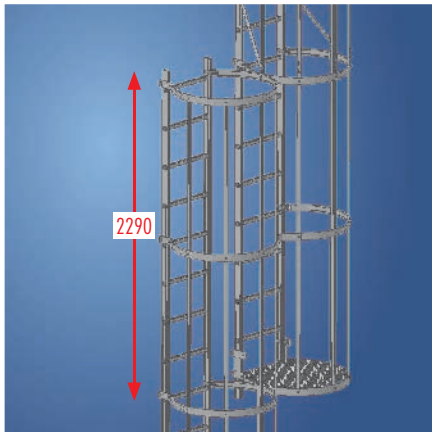
Diagonal brace

Type	Alu
Order no.	0053340

G

Required once per ladder section for safety cage.

VERTICAL LADDER ACCESSORIES ACCESSORIES FOR OVERLAP VERSION



An overlap comprises:

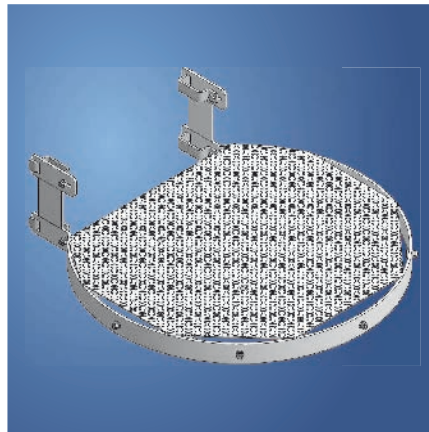
Description	Length	Quantity
3/4 clamp		2
Braces	2290 mm	4
Connection for double clamp		1
Wall fastenings		4
Solid platform		1
Ladder section	2520 mm	1
Diagonal brace		1
Safety cage clamp		1

This parts list contains all the parts required in addition to a continuous ladder section.



3/4 clamp for side exit

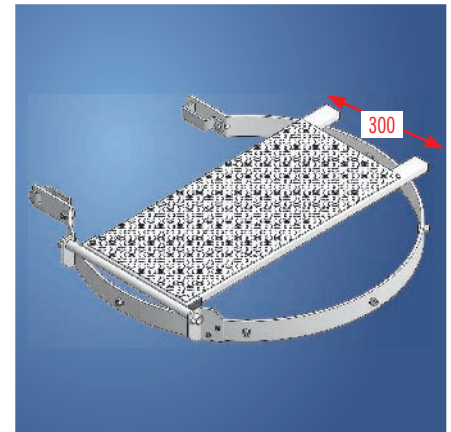
Type	Alu	G
Order no.	0053981	



Solid platform

Type	Alu	G
Order no.	0051630	

Aluminium chequer plate.



Folding intermediate platform

Type	Alu	G
Order no.	0051635	

For use if an overlap is not possible, for instance.

Intermediate platform lockable with padlock

Type	Alu	G
Order no.	0051762	



Connection for double clamp

Type	Alu	G
Order no.	0053332	

To connect two 3/4 clamps.



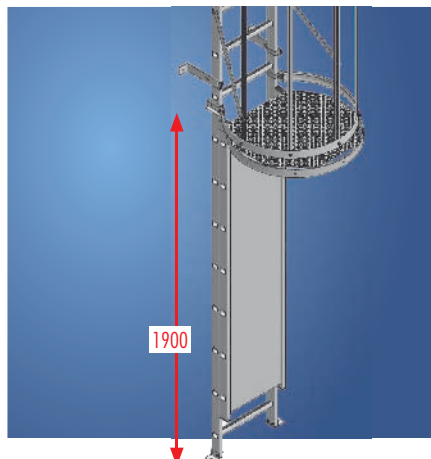
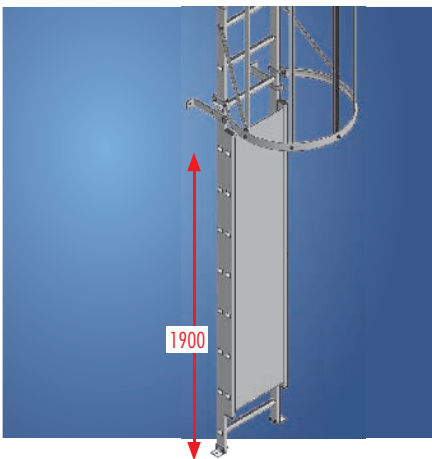
Retractable access for complete ladder systems

Rope operation from	top	bottom	G
Order no.	0051634	0051763	

As a spare part for retrofitting:

Rope operation from	top	bottom	G
Order no.	0052314	0052315	

Ladder section can be released with a rope.



Access barrier lockable

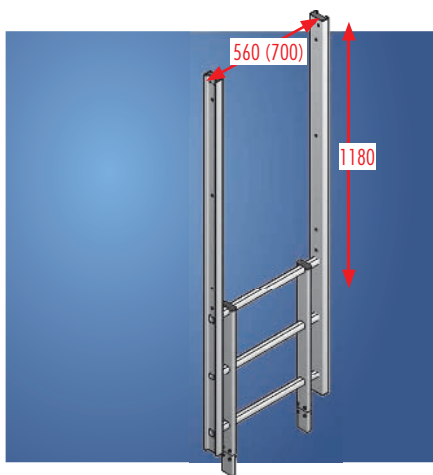
Type	Alu	G
Order no.	0051637	

Access barrier with lockable cover

Type	Alu	G
Order no.	0051764	

VERTICAL LADDER ACCESSORIES

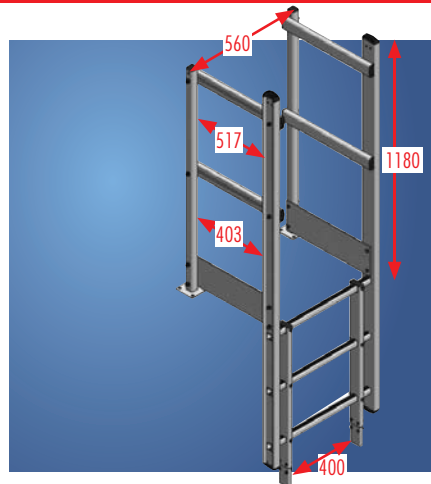
EXITS



Straight exit

Type	Alu	Alu widened	G
Order no.	0053291	0053292	

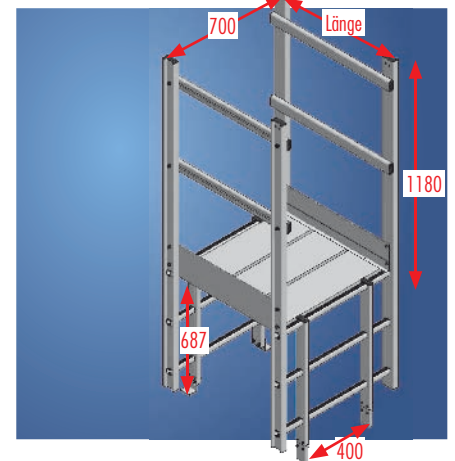
DIN 18799-1 Structures: order additional exit step (order no. 0054038).
DIN 14094 Escape ladders.



Narrow exit with handrail

Type	Alu	G
Order no.	0054054	

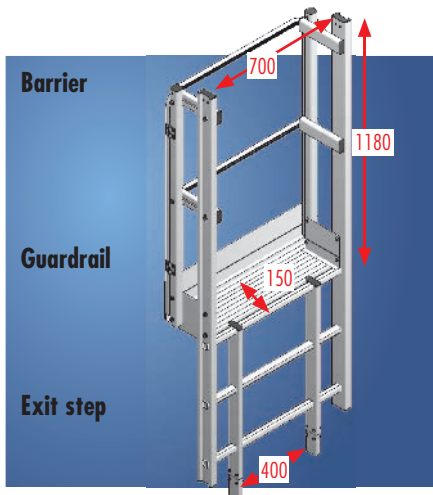
DIN 18799-1 Structures: order additional exit step (order no. 0054038).
DIN 14094 Escape ladders.



Exit with bridge

Type	Alu	Alu	Alu	G
Length approx. mm	725	950	1175	
Order no.	0054056	0054057	0054058	

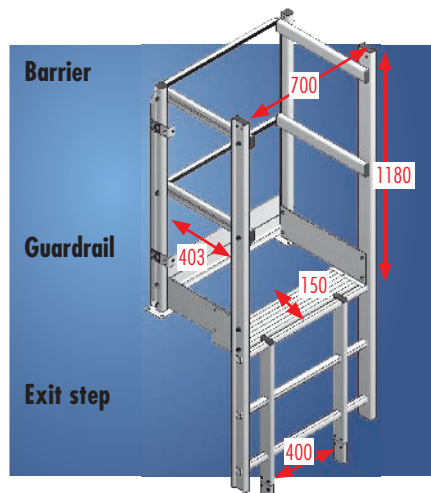
DIN 18799-1 Structures.
DIN 14094 Escape ladders.



Wide straight exit

Type	Alu	G
Order no.	0053298	

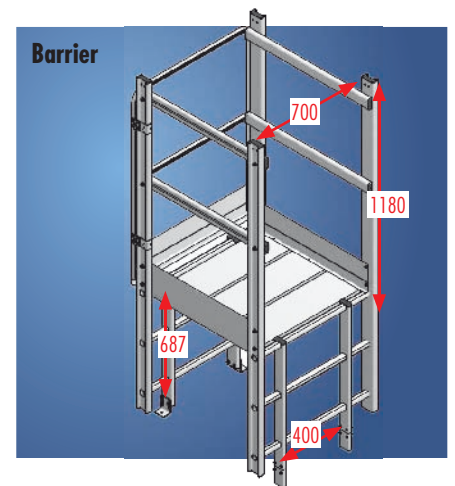
EN ISO 14122-4
Access to plant and equipment.
DIN 18799-1 Structures.
DIN 14094 Escape ladders.



Wide exit with handrail

Type	Alu	G
Order no.	0054055	

EN ISO 14122-4
Access to plant and equipment.
DIN 18799-1 Structures.
DIN 14094 Escape ladders.



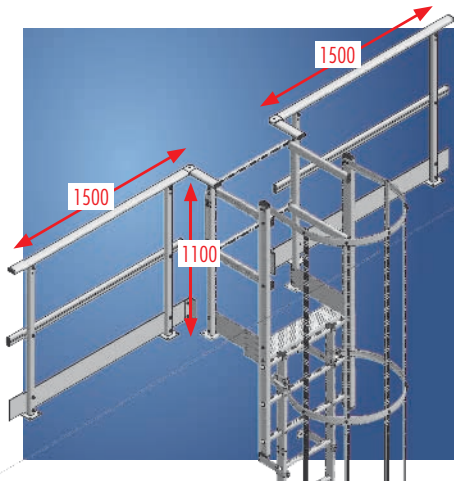
Exit with bridge

Type	Alu	Alu	Alu	G
Length approx. mm	725	950	1175	
Order no.	0054059	0054060	0054061	

EN ISO 14122-4
Access to plant and equipment.
DIN 18799-1 Structures.
DIN 14094 Escape ladders.

VERTICAL LADDER ACCESSORIES

EXITS AND ACCESSORIES FOR EXITS



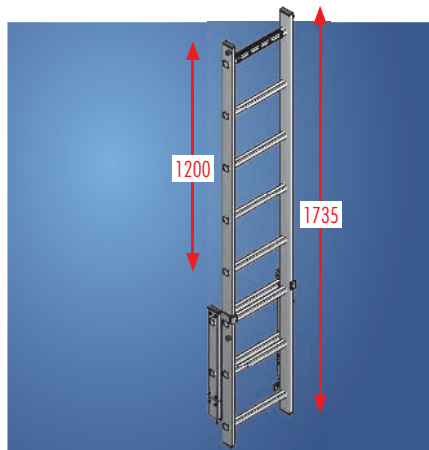
Guardrail for exit

Type	Alu	Alu
Page	left	right
Order no.	0053335	0053336

G

EN ISO 14122-4

Access to plant and equipment.



Access aid, extendible

Type	Alu
Order no.	0053345

G

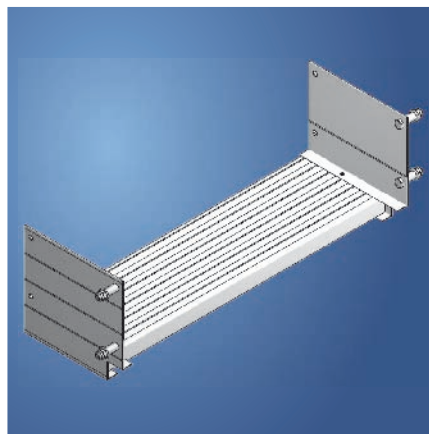
For use in roof hatches, skylights, shafts, pits.



Barrier (for bolting on)

Type	narrow	wide
Order no.	0054032	0054033

G

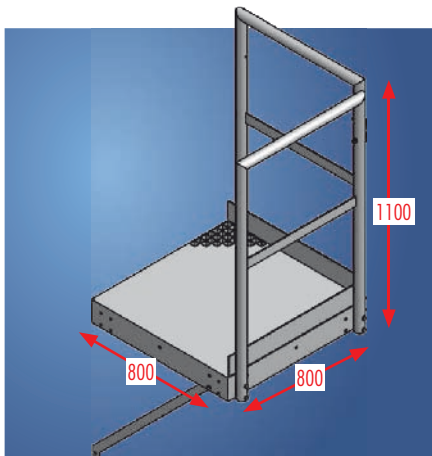


Exit step

Type	narrow	wide
Order no.	0054038	0054039

G

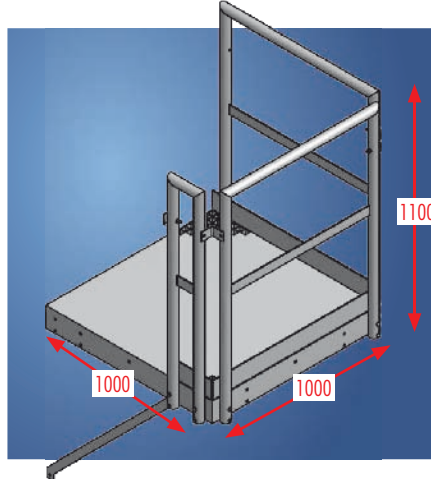
VERTICAL LADDER ACCESSORIES PLATFORMS



Platform with guardrail, small

Type	Steel	G
Order no.	0054040	

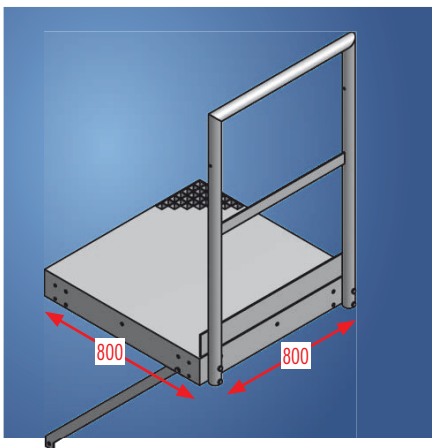
Galvanized steel grating platform.
Galvanized steel guardrail.
Width 800 mm, depth 800 mm.
Can be used for all current standards.



Platform with guardrail, large

Type	Steel	G
Order no.	0054041	

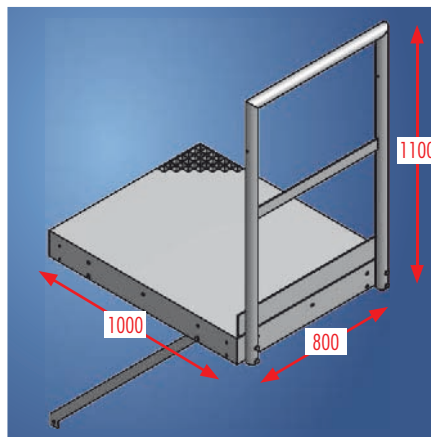
Galvanized steel grating platform.
Galvanized steel guardrail.
Width 1,000 mm, depth 1,000 mm.
Can be used for all current standards.



Extension platform with guardrail, small

Type	Steel	G
Order no.	0054042	

Galvanized steel grating platform.
Galvanized steel guardrail.
Width 800 mm, depth 800 mm.
Can be used for all current standards.

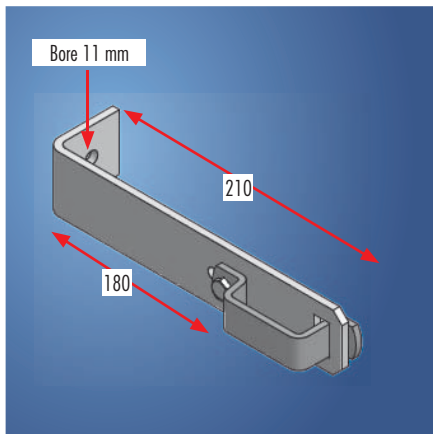


Extension platform with guardrail, large

Type	Steel	G
Order no.	0054043	

Galvanized steel grating platform.
Galvanized steel guardrail.
Width 800 mm, depth 1,000 mm.
Can be used for all current standards.

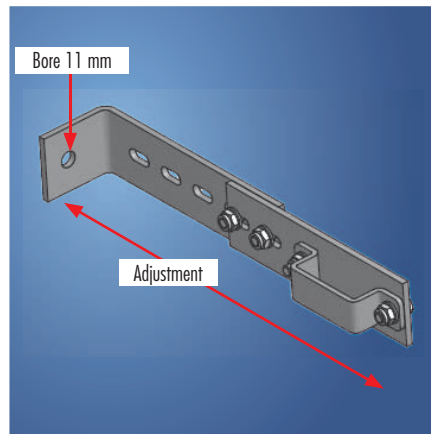
VERTICAL LADDER ACCESSORIES WALL FASTENINGS, FLOOR BRACKET



Standard wall hook, 210 mm

Type	Alu	Steel	G
Order no.	0050139	0051568	

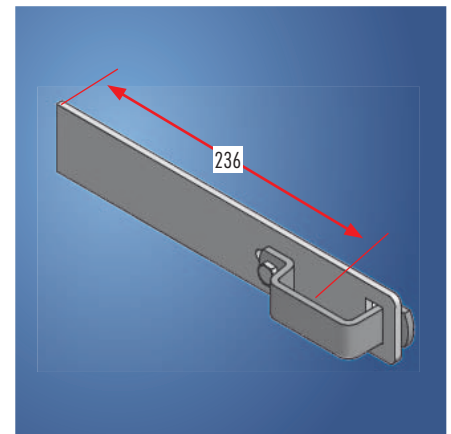
Fits 60 x 24 mm stile.



Adjustable wall hook

Type	Steel	Steel	G
Size approx. mm	155-245	250-350	
Order no.	0051572	0052525	

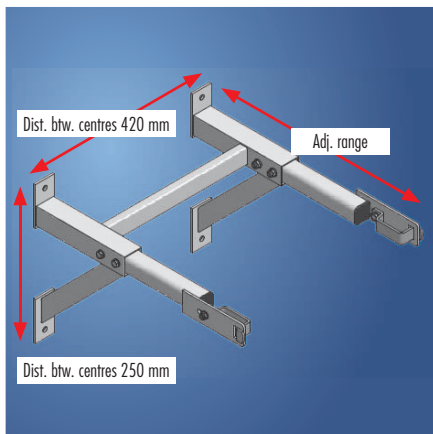
Only available in galvanized steel.
Fits 60 x 24 mm stile.



Straight wall fastening

Type	Alu	Steel	G
Order no.	0050141	0051569	

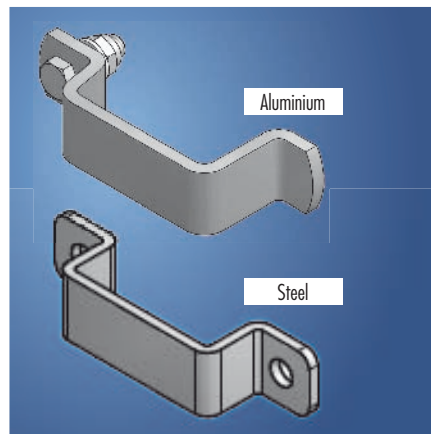
Fits 60 x 24 mm stile.



Adjustable wall bracket

Type	Alu	Alu	Alu	G
Size approx. mm	350-500	500-650	650-880	
Order no.	0053320	0053321	0053322	

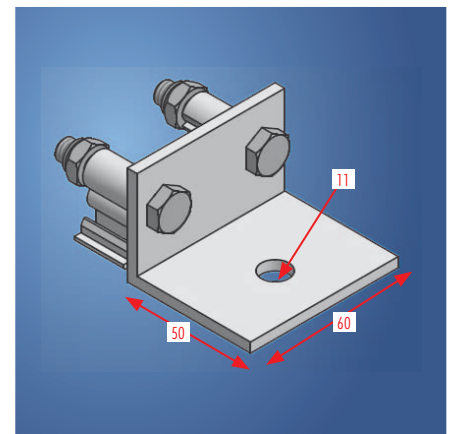
Fits 60 x 24 mm stile.



Clamp for wall fasteners

for fastenings in	Alu*	Steel	G
Order no.	0053946	0041503	

Material: Galvanized steel.
* Complete with bolt and nut.



Ground bracket

Type	Alu	Alu long	G
Order no.	0051566	0053451	

The distance between the individual fastening points shall not exceed 2,000 mm.
The fastenings shall preferably be fitted beneath the rung (maximum 1,960 mm).