

## Safety steps without handrail 6060

- Folding safety steps.
- Safe ascent and descent thanks to 47° inclination.
- 360 mm wide, 230 mm deep steps with non-slip rubber coating.
- Strong, tension and compression-resistant brace between ladder and support section.

2 year guarantee



Number of steps		2	3
Standing height	approx. m	0.45	0.70
Working height	approx. m	1.95	2.20
Reach height	approx. m	2.45	2.70
Width	approx. mm	480	560
Width between stiles	approx. m	0.55	0.90
Weight	approx. kg	3.9	6.6
EAN code		4019502319998	4019502320000
Order no.		606002	606003

## Safety steps with handrail 6061

- As 6060, but with handrail.

2 year guarantee



Number of steps		3	4	5
Standing height	approx. m	0.70	0.90	1.15
Working height	approx. m	2.20	2.40	2.65
Reach height	approx. m	2.70	2.90	3.15
Width	approx. mm	560	580	600
Width between stiles	approx. m	0.90	1.15	1.50
Weight	approx. kg	8.4	10.6	12.8
EAN code		4019502320024	4019502320031	4019502320048
Order no.		606103	606104	606105

## Folding steps 6030

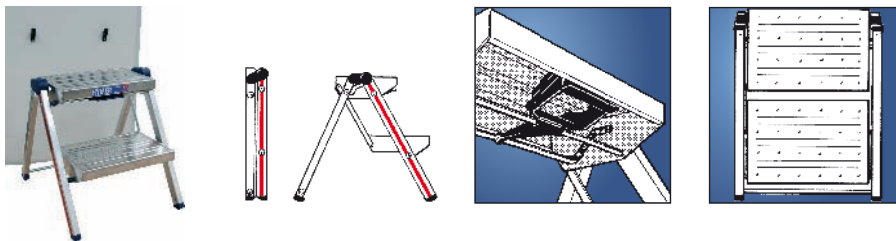
- DIN EN 14183.
- Easy to carry with practical carrying handle.
- Low weight: 2.1 kg.
- Minimum height: 80 mm.
- Folded 460 x 375 x 80 mm (L x W x H)
- Secured against folding.
- Excellent overall appearance.
- Step depth 200 mm, step width 300 mm.
- Permitted load 150 kg.

5 year guarantee



6030

S



### Pair of hooks for 6030 folding step

- Plastic hooks for hanging steps.
- User assembled.
- Content: 2 hooks including fasteners.
- See also accessories on page 169.

S

EAN code	4019502345799
Order no.	0051376

Number of steps		2
Stile	approx. mm	32
Standing height	approx. m	0.40
Working height	approx. m	1.90
Reach height	approx. m	2.40
Min. installation height	approx. mm	80
Width between stiles	approx. m	0.45
Colour		aluminium
Weight	approx. kg	2.1
EAN code		4019502310865
Order no.		603002

## Folding steps (kitchen steps) 6017/6020

- For retrofitting into plinth with fastenings for any plinth panel.
- Optionally available for plinth depths of at least 500 mm or at least 460 mm.
- Fitting height 100 mm.
- Also intended for space-saving accommodation in broom cupboard or on shelves.
- Permitted load 150 kg.
- Complying with EN 14183.

5 year guarantee



6017/6020

S

Number of steps		2	2
Stile	approx. mm	50	50
Length	approx. m	0.45	0.50
Standing height	approx. m	0.40	0.40
Working height	approx. m	1.90	1.90
Reach height	approx. m	2.40	2.40
Width	approx. mm	400	400
Width between stiles	approx. m	0.40	0.40
Plinth depth	approx. mm	460 - 500	über 500
Weight	approx. kg	2.2	2.3
EAN code		4019502310506	4019502310568
Order no.		601702	602002

## Step stand 6884

Available from  
March 2011

- Step angle 45°.
- Step width 600, 800 or 1000 mm.
- Standard without handrail and guardrail, available on request.
- Non-slip plastic feet on step side and support side.
- Platform length 500 mm.
- Aluminium profile steps 250 mm deep.
- Intermediate sizes at price of next highest number of steps.
- Total load-bearing capacity 300 kg, step load 150 kg.
- Shipped in subassemblies pre-assembled in the factory.
- Castors available as an accessory.

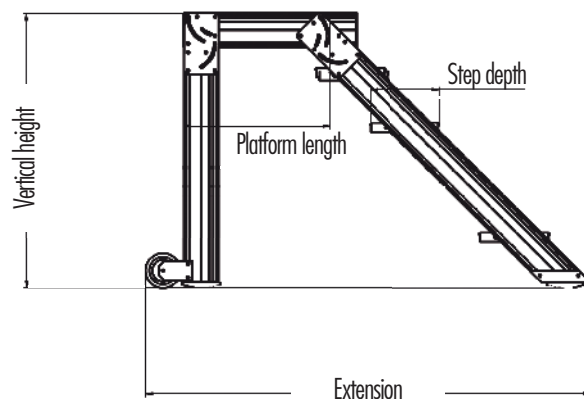


6884



**Accessories: fixed castor set**

2 castors including fasteners  
Order no. 0054448



## Step width 600 mm

**G**

<b>Number of steps</b>	2	3	4
<b>Standing height approx. m</b>	0.40	0.60	0.80
<b>Extension approx. m</b>	0.75	0.94	1.14
<b>Weight approx. kg</b>	7.9	11.9	15.8
<b>EAN code</b>	4019502347212	4019502347229	4019502347236
<b>Order no.</b>	68840602	68840603	68840604

Platform extension including rail extension on request.

Aluminium or steel grating steps on request.

## Step width 800 mm

**G**

<b>Number of steps</b>	2	3	4	5
<b>Standing height approx. m</b>	0.40	0.60	0.80	1.00
<b>Extension approx. m</b>	0.75	0.94	1.14	1.35
<b>Weight approx. kg</b>	10.5	15.8	21.2	26.4
<b>EAN code</b>	4019502347243	4019502347267	4019502347250	4019502347274
<b>Order no.</b>	68840802	68840803	68840804	68840805

Platform extension including rail extension on request.

Aluminium or steel grating steps on request.

## Step width 1000 mm

**G**

<b>Number of steps</b>	2	3	4	5
<b>Standing height approx. m</b>	0.40	0.60	0.80	1.00
<b>Extension approx. m</b>	0.75	0.94	1.14	1.35
<b>Weight approx. kg</b>	13.2	19.8	26.4	33.0
<b>EAN code</b>	4019502347281	4019502347298	4019502347304	4019502347311
<b>Order no.</b>	68841002	68841003	68841004	68841005

Platform extension including rail extension on request.

Aluminium or steel grating steps on request.