

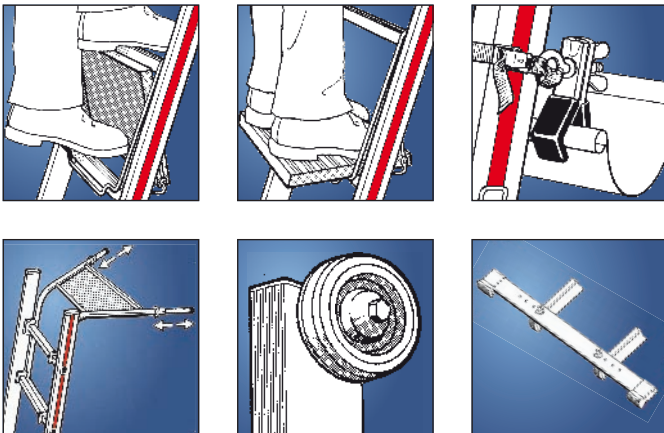
Rung leaning ladder 6011

- Stiles made of seamless extruded profiles with ergonomic shape for a safe grip.
- Rungs made of extruded profiles with deep ribbing and therefore increased grip.
- Ladder internal width 370 mm.

**10 year
guarantee**



Recommended accessories:



More accessories can be found from page 162 onwards.

You will find further rung leaning ladders on page 12.

S

Number of rungs		6	7	8	9	10	12	14	16	18	20	22
Stile	approx. mm	60	60	60	60	60	60	60	66	71	71	71
Length	approx. m	1.95	2.22	2.50	2.78	3.06	3.62	4.18	4.75	5.30	5.86	6.42
Standing height	approx. m	0.83	1.10	1.37	1.64	1.91	2.45	2.99	3.53	4.07	4.62	5.16
Working height	approx. m	2.33	2.60	2.87	3.14	3.41	3.95	4.49	5.03	5.57	6.12	6.66
Reach height	approx. m	2.83	3.10	3.37	3.64	3.91	4.45	4.99	5.53	6.07	6.62	7.16
Width	approx. mm	425	425	425	425	425	425	425	425	425	425	425
Weight	approx. kg	3.5	3.9	4.3	4.8	5.3	6.2	7.1	8.1	8.9	10.6	11.6
EAN code		4019502338234	4019502338241	4019502338258	4019502338265	4019502338272	4019502338296	4019502338302	4019502338319	4019502338326	4019502338333	4019502338340
Order no.		601106	601107	601108	601109	601110	601112	601114	601116	601118	601120	601122

For an explanation of working height/reach height in accordance with BGI 694, see page 10.

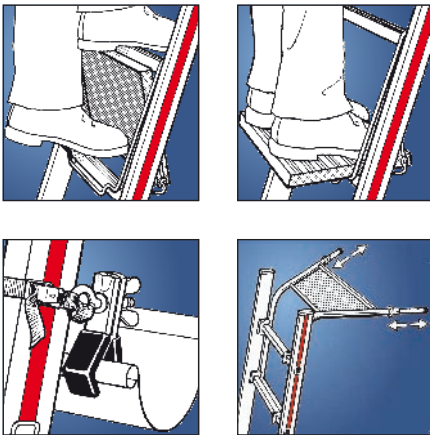
Extension ladder, two-section 6046

- The high-quality fittings are equipped with plastic sliders on the inside which protect the material of the stiles and ensure improved sliding.
- Stiles made of seamless extruded profiles with ergonomic shape for a safe grip.
- Rungs also made of ribbed extruded profiles, therefore increased grip.
- Folding feet with large contact surface and high stability.
- Generous ladder width of min. 300 mm enables safe and easy climb.
- The two ladder sections can be used individually.
- From size 2x14 with protective wall wheels made of high-quality plastic as a soft running surface also ideal for sensitive walls.

**10 year
guarantee**



Recommended accessories:



More accessories can be found from page 162 onwards.

You will find further extension ladders on pages 13.

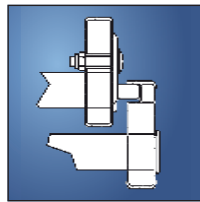
S

Number of rungs		2x6	2x8	2x10	2x12	2x14	2x16	2x18
Stile	approx. mm	60	60	66	71	83	89	89
No. of rungs at max. extent		10	14	17	21	25	29	32
Length closed	approx. m	1.95	2.50	3.08	3.61	4.20	4.74	5.30
Length extended	approx. m	3.05	4.20	5.05	6.14	7.26	8.38	9.22
Standing height	approx. m	1.92	3.00	3.81	4.89	5.97	7.05	7.87
Working height	approx. m	3.42	4.50	5.31	6.39	7.49	8.55	9.37
Reach height	approx. m	3.92	5.00	5.81	6.89	7.99	9.05	9.87
Width top/bottom	approx. mm	355/425	355/425	355/425	355/425	355/425	355/425	355/425
Weight	approx. kg	7.2	8.6	11.0	13.6	17.1	22.0	26.2
EAN code		4019502338364	4019502338371	4019502338388	4019502338395	4019502338401	4019502338418	4019502338425
Order no.		604612	604616	604620	604624	604628	604632	604636

For an explanation of working height/reach height in accordance with BGI 694, see page 10.

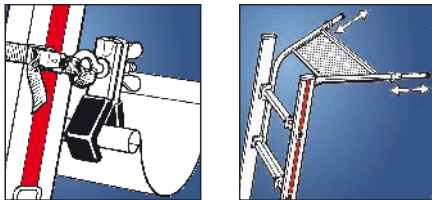
Rope-operated extension ladder, two-section 6051

- Extremely user friendly thanks to wide, automatically locking fall hooks with gravity locking.
- High-strength, non-slip rope with 12 mm diameter.
- All sizes with protective wall wheels made of high-quality plastic.
- Stiles made of seamless extruded profiles with ergonomic shape for a safe grip.
- Rungs also made of extruded profiles, therefore deep ribbing of the tread surface and thus increased grip.
- Ladder internal width 300 mm.
- High-quality fittings with plastic sliders.
- Aluminium swivel shoes screwed on, therefore easily replaceable.
- Stiles made of wing profiles ensure better guidance and high stability.
- The stile can be held on the outside when extending and closing the ladder without the risk of crushing one's fingers.



Wing profile

Recommended accessories:



More accessories can be found from page 162 onwards.

10 year guarantee



6051

You will find further rope operated ladders on pages 14, 15, 29.

S

Number of rungs		2x14	2x16	2x18	2x20	2x22
Stile	approx. mm	89	89	89	100	100
No. of rungs at max. extent		25	29	32	36	40
Length closed	approx. m	4.18	4.74	5.30	5.86	6.42
Length extended	approx. m	7.26	8.38	9.24	10.34	11.46
Standing height	approx. m	5.97	7.05	7.87	8.95	10.03
Working height	approx. m	7.47	8.55	9.37	10.45	11.53
Reach height	approx. m	7.97	9.05	9.87	10.95	12.03
Width top/bottom	approx. mm	355/425	355/425	355/425	355/425	355/425
Weight	approx. kg	19.7	24.8	28.2	32.8	37.0
EAN code		4019502338630	4019502338647	4019502338654	4019502338661	4019502338678
Order no.		605128	605132	605136	605140	605144

For an explanation of working height/reach height in accordance with BGI 694, see page 10.

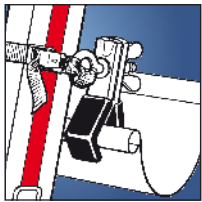
Rope-operated extension ladder, three-section 6261

- Extremely user friendly thanks to wide, automatically locking fall hooks with gravity locking.
- All sizes with protective wall wheels made of high-quality plastic.
- Stiles made of seamless extruded profiles with ergonomic shape for a safe grip.
- Swivelling shoes with large contact surface and high stability in blue made of high-quality plastic.
- Internal width of ladder 300 mm (top section).
- High-quality fittings with plastic sliders.
- Aluminium swivel shoes screwed on, therefore easily replaceable.
- High-strength, non-slip ropes of different colours for differentiation:
 - upper section rope colour blue, 10 mm
 - middle section rope colour red, 12 mm
- Stiles made of wing profiles ensure better guidance and high stability.



Wing profile

Recommended accessories:



More accessories can be found from page 162 onwards.

10 year guarantee



6261

You will find further rope operated ladders on pages 14, 15, 28.

S

Number of rungs		3x14	3x16	3x18
Stile	approx. mm	89	100	100
No. of rungs at max. extent		34	40	46
Length closed	approx. m	4.19	4.75	5.30
Length extended	approx. m	9.80	11.46	13.14
Standing height	approx. m	8.43	10.06	11.68
Working height	approx. m	9.93	11.56	13.18
Reach height	approx. m	10.43	12.06	13.68
Outer width	approx. mm	355/425/490	355/425/490	355/425/490
Weight	approx. kg	35.8	44.0	49.8
EAN code		4019502338913	4019502338920	4019502338937
Order no.		626142	626148	626154

For an explanation of working height/reach height in accordance with BGI 694, see page 10.